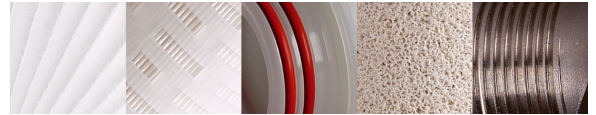


76 SERIES JUNIOR

Hygienic Style Junior Housing



The **76 Series Junior** cartridge housing is a high quality product specifically designed for critical applications. It is manufactured to provide a 0.4µm Ra crevice free sanitary finish on all internal surfaces. The hygienic design ensures the housing is easy to clean and can be sanitised or steam sterilised readily. The base of the housing is designed to ensure easy draining and cleaning.

76 Series Junior housings are suitable for the pre-filtration and final filtration of both liquids and gases. They can be supplied suitable for Pall 'MCY 4463' style or Parker 'True Seal' style junior cartridges with either pleated depth or membrane filter media.

Product Features

- 0.4µm Ra internal finish
- Rated at up to 10 bar g and full vacuum in liquids and gases
- Suitable for operating temperatures from -10°C up to 150°C
- High quality cast Vee clamp for ease of use, safety and security
- Offered with a range of connection sizes and types
- CE Marked
- Full traceability on all parts, material certification packs available



Features and Benefits

- High quality crevice free surface finish to 0.4µm Ra to assist in maintaining a sanitary system
- Ideal for small and medium scale processes
- Suitable for lab, pilot plant and production plant operations
- Full vacuum rating in liquids and gases
- Compact design enables use on a range of process equipment and compressed air and gas lines
- Every housing is etched with a batch number for full traceability

Product Range

Amazon Filters design and manufacture an extensive range of liquid filtration systems, providing one of the widest selections of filtration vessels, depth filters and pleated cartridges available today, ensuring excellent process and filter compatibility. As one of Europe's leading manufacturers of filtration systems, Amazon Filters is able to offer a solution to meet all filtration requirements. Amazons' filters are manufactured in clean room conditions and all products come with detailed Product Validation Guides and Technical Support documentation.



AMAZON

76 Series Junior Technical Data

Maximum Operating Conditions

Pressure Range:	Liquid:	FV / 10 bar g
	Gas Group 1:	FV / 10 bar g
	Gas Group 2:	FV / 10 bar g
Temperature Range:	-10°C / 150°C	

Materials of Construction

Body and Closure:	316L St. Steel
Clamp:	304 St. Steel

Finish

Vessel:	0.4µm Ra Internal Finish, Degreased sump, electropolished base 0.8µm Ra or better external finish
---------	--

Connections

Inlet/Outlet:	½" BS4825-3 Tri Clamps
---------------	------------------------

PED Status:

Compliant with 2014/68/EU	
Fluids Group:	Gas Group 1 + 2 Liquids Group 1 + 2

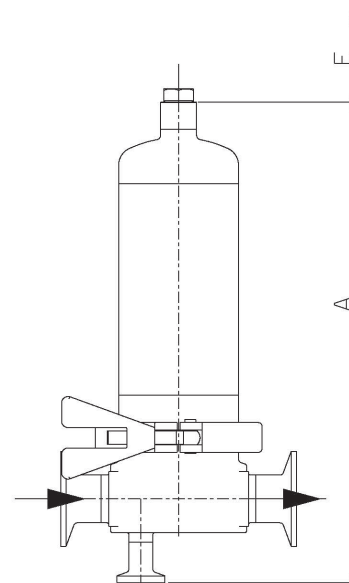
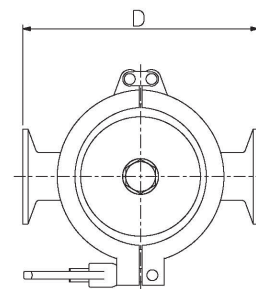
Marking:

CE	
Exceptions:	Group 1 liquids - Explosive

ATEX:

Compliant with 2014/34/EU, level CE Ex II 2 GD c X

Technical drawings for each individual housing showing dimensions, volume, weights, maximum temperatures and design pressures available on request.



Ordering Guide

7601	0	J	A	F	05	L	1	V	S
No of Stacks	Cartridge Length	Cartridge End Cap Style	Closure Style	Mounting	Connection	Connection Type	Materials	Finish	Seal
01 - 1 Stack	0 - Single - 5" A - 2 ½"	J - Junior T - Truseal	A - Cast Vee Clamp	F - ¼" BSP vent G - ¼" Hygienic Hose Barb Vent H - ½" TC vent only. No Clamp/blank R - ¼" Hygienic Staubli Vent	05 - ½" 10 - 1	L - BS4825-3 Tri Clamp C - EN1092-1 Flange PN16 H - ASME Flange 150# M - DIN11851 N - RJTM P - SMS M (Swedish) R - IDFM	1 - 316 St.St (L Grade)	V - 0.4µm Ra Finish, Degrease Sump Electropolished Base	E - Ethylene Propylene S - Silicone V - Viton T - PTFE Envelope

Example: 76010JAF05L1VS = 76 Series, 1 x 5" Junior cartridge, cast vee clamp closure, ¼" BSP vent, ½" Tri Clamp drain, ½" Tri Clamp connections. St. Steel construction with pickle, 0.4µm Ra Finish, Degrease sump, electropolished base, Silicone seal.

AMAZON FILTERS LTD.

Albany Park Estate, Camberley, Surrey, GU16 7PG, ENGLAND

Tel: +44 (0) 1276 670 600 Email: sales@amazonfilters.co.uk Web: www.amazonfilters.com