

# 51 SERIES

## Single Stack Filter Housing



The **51 Series** single cartridge housing is renowned for its high quality design and manufacture. With the ability to accept both standard Double Open End and Single Open End cartridges, this single stack housing with Vee clamp closure has proved very successful in a wide variety of applications within the liquids processing industry.

The **51 Series** will accept the full range of Amazon and industry standard cartridges ranging from 0.1 to 500µm with nominal lengths of 5, 10, 20 and 30".

### Product Features

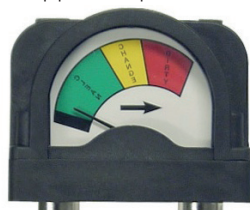
- Quick release Vee Clamp Closure for easy opening
- Lightweight, high specification investment cast head



Double Open Ended

Single Open Ended

- Easy to use tie rod assembly design ensures cartridge centralisation (for a reliable knife edge seal) that enables the use of either 9.75" or 10" cartridge length configurations (or multiples) in the same housing
- Dual purpose head accepts SOE code 3 and DOE cartridges
- SOE code 7 and code B adaptors available
- Available in 316L stainless steel or Alloy 22 for maximum compatibility
- Wide range of connection size and types, cartridge lengths and materials of construction
- PED Compliant to Sound Engineering Practice
- Full traceability on all parts, material certification packs available
- Rated to 10 bar g liquid, 10 bar g gas
- Can be supplied with a differential pressure gauge
- WRAS Approved product



Differential Pressure Gauge



| Accessories                       | Part Number |
|-----------------------------------|-------------|
| Pressure Gauge and Vent Valve Kit | 60S000016   |
| Ball Valve and Nipple             | 60S000010   |
| Stand                             | 50S010012   |
| Mounting Bracket                  | 50S010003   |

## Features and Benefits

- Investment Cast head (avoids the porosity & inclusion problems associated with lower quality sand castings)
- Integral vent and drain sockets to aid efficient filter changeout complete with PTFE washer
- Unique interchangeable configuration enables choice of SOE or DOE cartridge styles in the same housing
- Every housing is etched with a serial number for full traceability
- Full housing customisation service available
- Available in both 316L Stainless Steel and Alloy 22
- WRAS Approved product

## Product Range

Amazon Filters design and manufacture an extensive range of liquid filtration systems, providing one of the widest selections of filtration vessels, depth filters and pleated cartridges available today, ensuring excellent process and filter compatibility. As one of Europe's leading manufacturers of filtration systems, Amazon Filters is able to offer a solution to meet all filtration requirements. Amazons' filters are manufactured in clean room conditions and all products come with detailed Product Validation Guides and Technical Support documentation.



# 51 Series Technical Data

## Maximum Operating Conditions

Pressure Range: Liquid: FV / 10 bar g  
Gas: FV / 10 bar g

Temperature Range: -10°C / 150°C

## Materials of Construction

Body and Closure: 316L St.Steel  
Alloy 22

Clamp: 304 St.Steel

Seal: Ethylene Propylene

## Finish

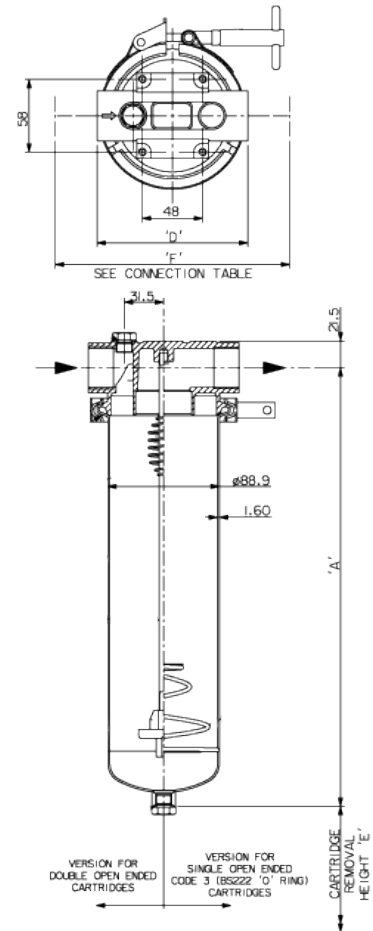
Vessel: Externally polished sump, bead blast head

## Connections

Inlet/Outlet: 1" BSPF

Vent: 1/4" BSPF with Plug

Drain: 1/4" BSPF with Plug



| Model | Dimensions |   |   |     |     | Volume (Litres) | Dry Weight |
|-------|------------|---|---|-----|-----|-----------------|------------|
|       | A          | B | C | D   | E   |                 |            |
| 5"    | 223        | - | - | 120 | 173 | 1.5             | 2.1        |
| 10"   | 349        | - | - | 120 | 300 | 2.2             | 2.7        |
| 20"   | 603        | - | - | 120 | 554 | 3.7             | 3.3        |
| 30"   | 857        | - | - | 120 | 808 | 5.1             | 4.1        |

## PED Status:

Compliant with 2014/68/EU

Fluid Groups: Gas Group 2  
Liquids Group 1 + 2

Marking: 10" & 20": Sound Engineering Practice  
30": CE Marked

Exceptions: Group 1 liquids - Explosive

## ATEX:

Compliant with 2014/34/EU, level CE Ex II 2 GD c X

Technical drawings for each individual housing showing dimensions, volume, weights, maximum temperatures and design pressures available on request.



WWW.BETA-INDUSTRIE.NL  
TEL: 0031-79-3415518

## AMAZON FILTERS LTD.

ALBANY PARK ESTATE, FRIMLEY ROAD  
CAMBERLEY, SURREY, GU16 7PG  
ENGLAND

Tel. +44 (0) 1276 670600  
Fax. +44 (0) 1276 670101  
Email. sales@amazonfilters.co.uk  
Web. www.amazonfilters.com