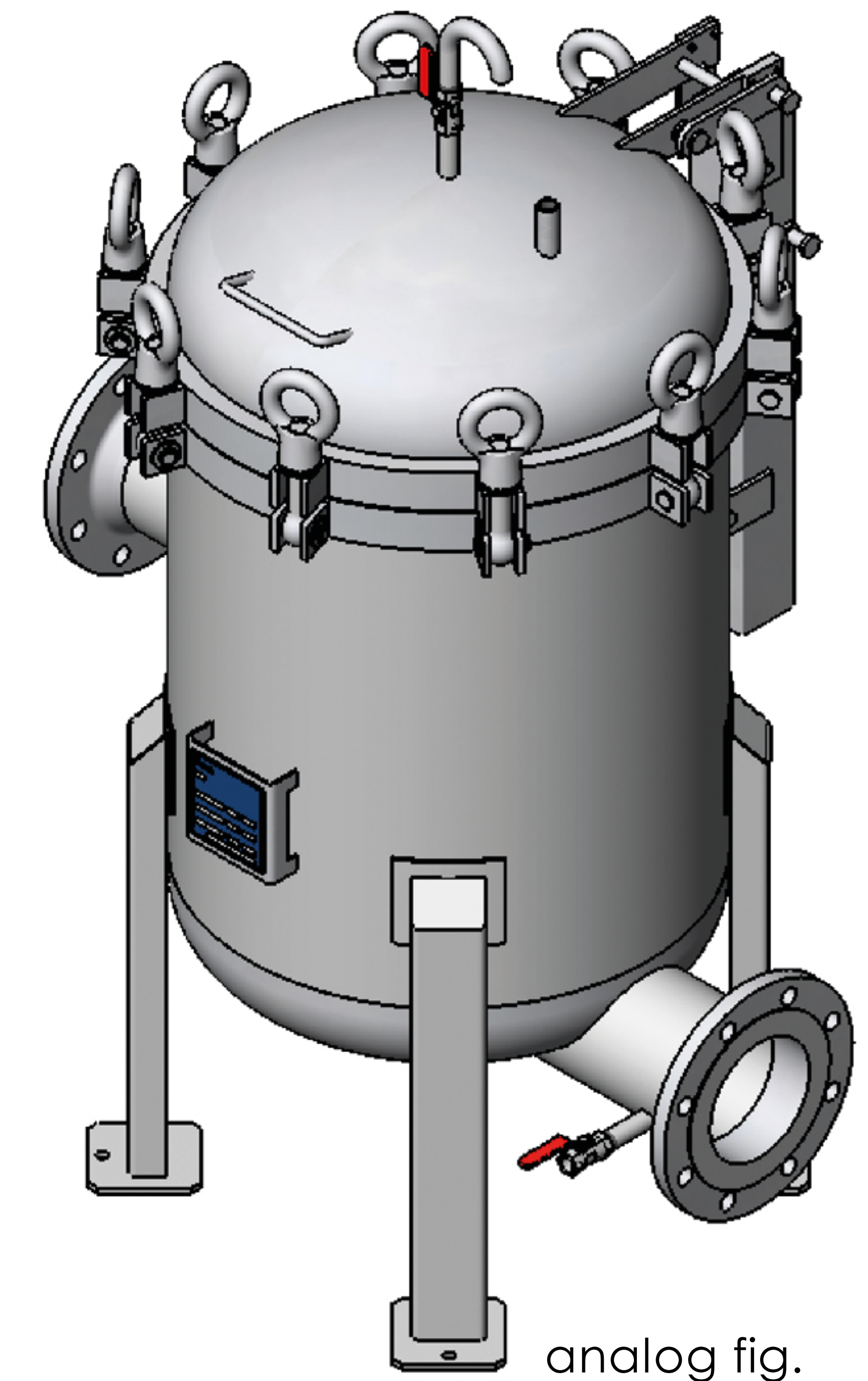
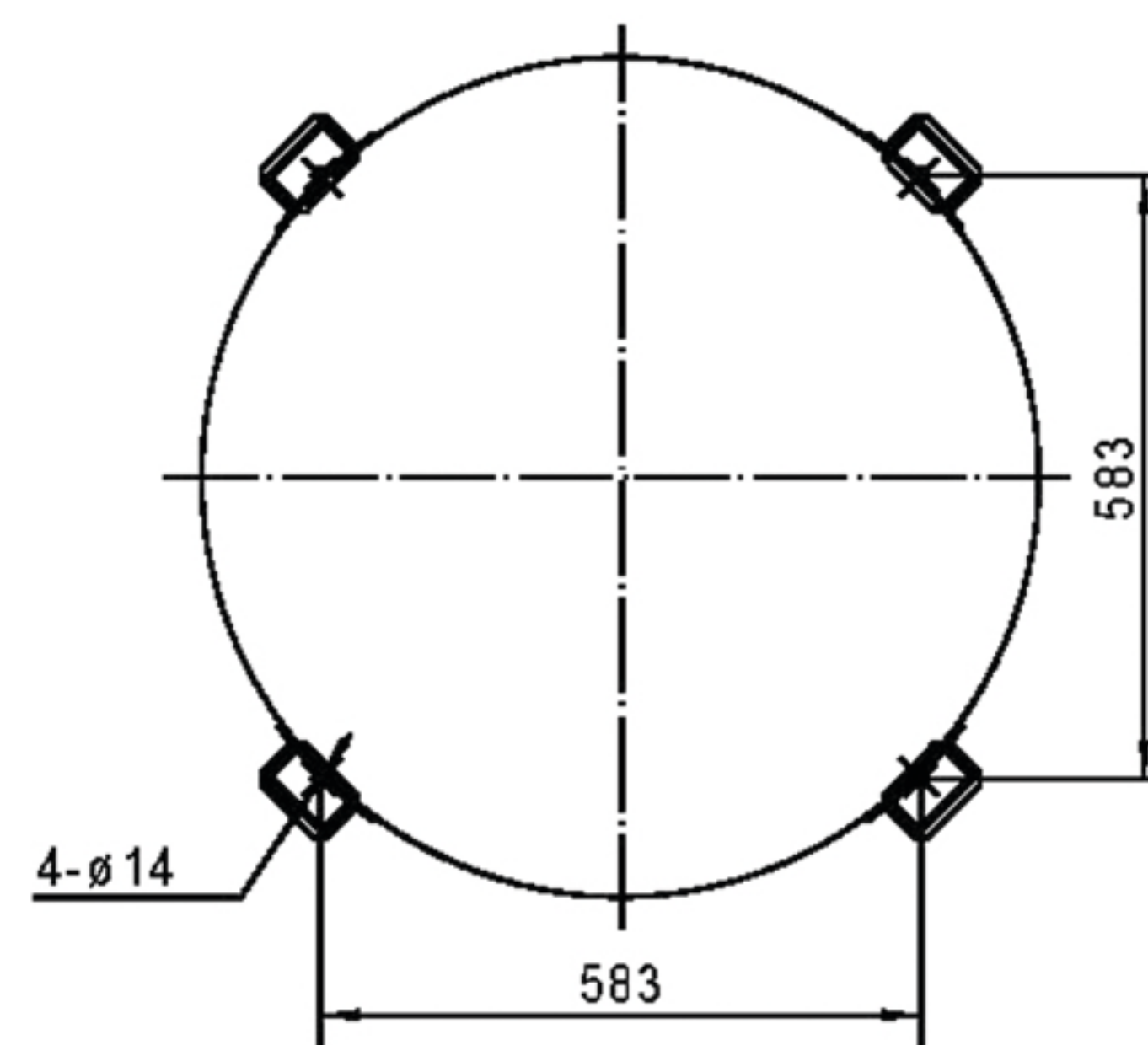
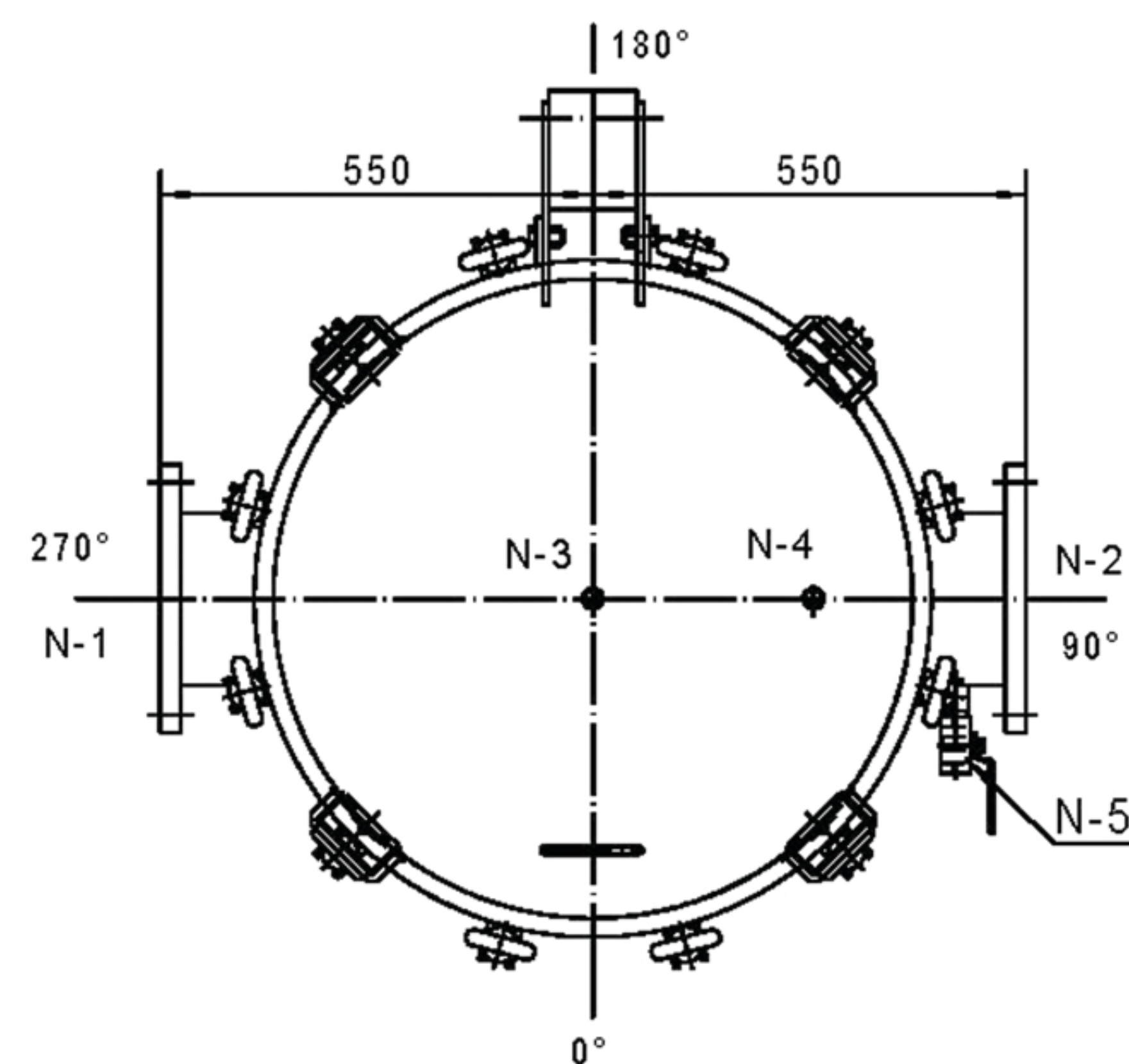
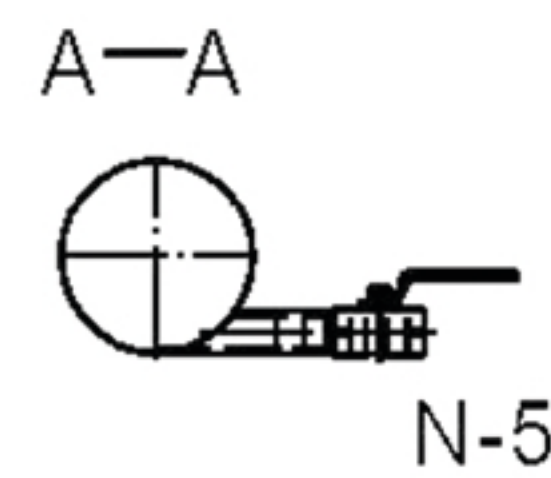
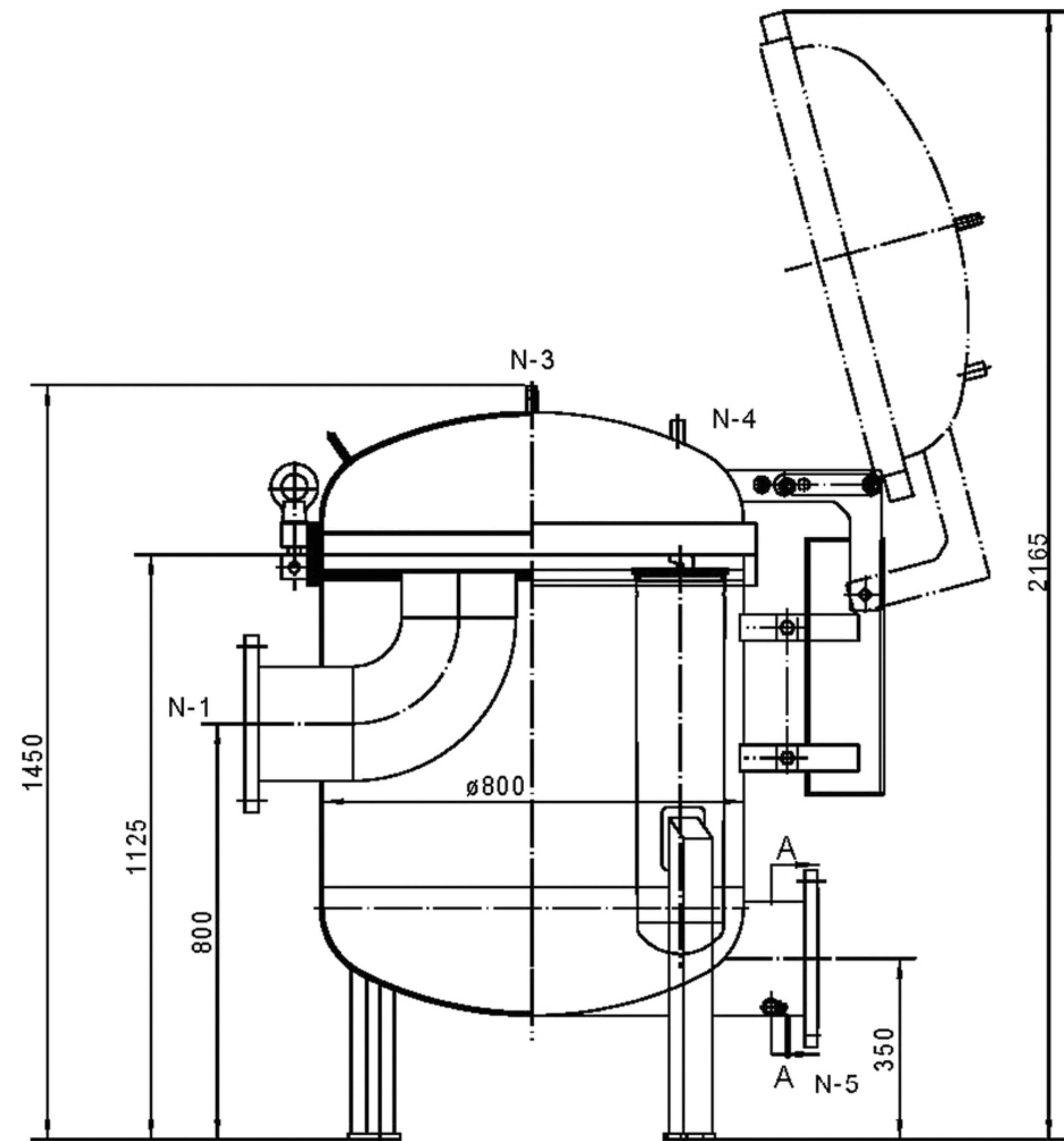


NOZZLE INDEX

Connection	Size	Type	DIN
N1	DN 200 PN16	Inlet	DIN 2633, C
N2	DN 200 PN16	Outlet	DIN 2633, C
N3	R 1/2 with ball valve	Vent	-
N4	Rp 1/2	Manometer	DIN 2999
N5	R 1 1/4" mit Kugelhahn	Drain	-

SPECIFICATION

Max. allow. Pressure	10 bar
Test Pressure	14,3 bar
Max. allow. Temperature	-10/+80°C
Volume	510 l
Material Housing	AISI 304
Material Gasket	O-ring FPM
Material Bolts	C-Steel, coated
Weight	350 kg



Date	17.08.2011	Name	Brixius	Typ	8ALSL2-10/F200-B2
				Article-No.	
				acc. drawing.	

BÈTA
industrie